

# TRC458

  
CRAWLER





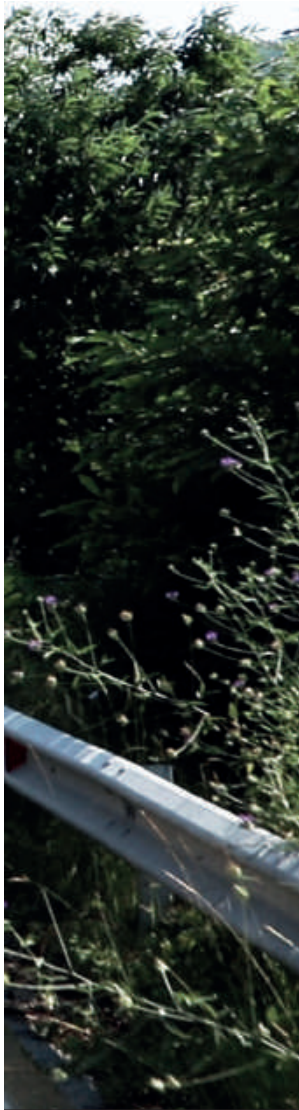


Crawler is a global brand in offroad vehicle and equipment industry, manufacturing all kinds of products varying from camper systems to heavy duty off-road caravans. Crawler creates a comfort zone within the nature for those who love outdoor activities and sports such as going off-road, camping , hunting, scouting, fishing, trekking etc.

Crawler TRC 458 is not just a caravan or an off-road vehicle, it is truly the perfect gateway from the city buzz to the nature.


Explore the nature, travel any location globally without limitations!  
Crawler TRC 458 will be your best companion to create lifelong experiences beyond your bucket list.

---



A landscape photograph showing a mountain range in the background under a clear blue sky. In the middle ground, a white pickup truck with a roof rack is parked on a grassy field. In the foreground, several large logs are stacked on the ground. The text "Return to Origin!" and "Water. Dust. Nature." is overlaid on the image.

**Return to Origin!**  
Water. Dust. Nature.



Crawler **TRC 458** is designed to make every journey as adventurous and comfortable as it can be.

It provides you all typical amenities that can be found in an average home, including a living area, kitchen and bathroom with both exterior and sleeping capacity up to 4 people with its additional rooftop extension.

Crawler TRC 458's superior off-road ability and thoughtful design packed with innovation will make you feel at home in any condition through all four seasons.



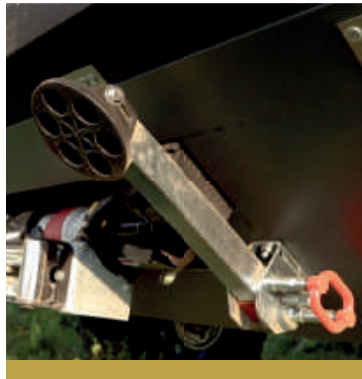
Marine type faucet and dual stove



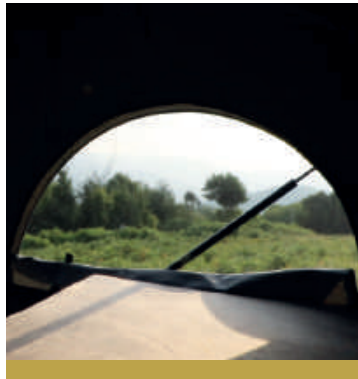
LED Taillights



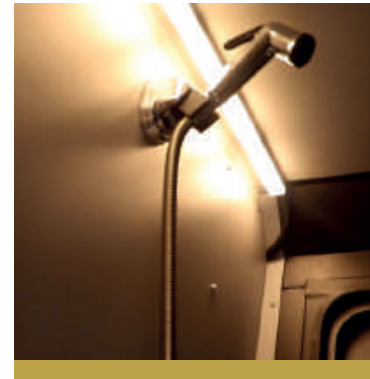
Inside and outside accessible bathroom



4 Pcs Fixing Legs



200x150 second bed section



Chrome faucet and shower head

200x160 first bed section



Large Interior, Ergonomic Foldable Table, LED Interior Lighting, Zipped Storage Compartments, Kitchenware Cabinets



Fridge



Cassette WC



Fabric wall hanger pockets



2 External Petrol Cans



Flyscreen and blind for windows



270 degree Crawler Premium awning

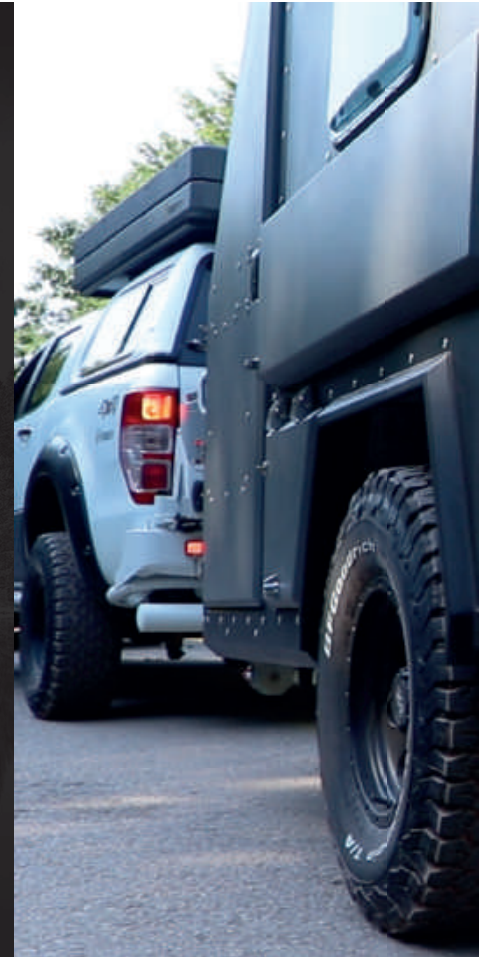




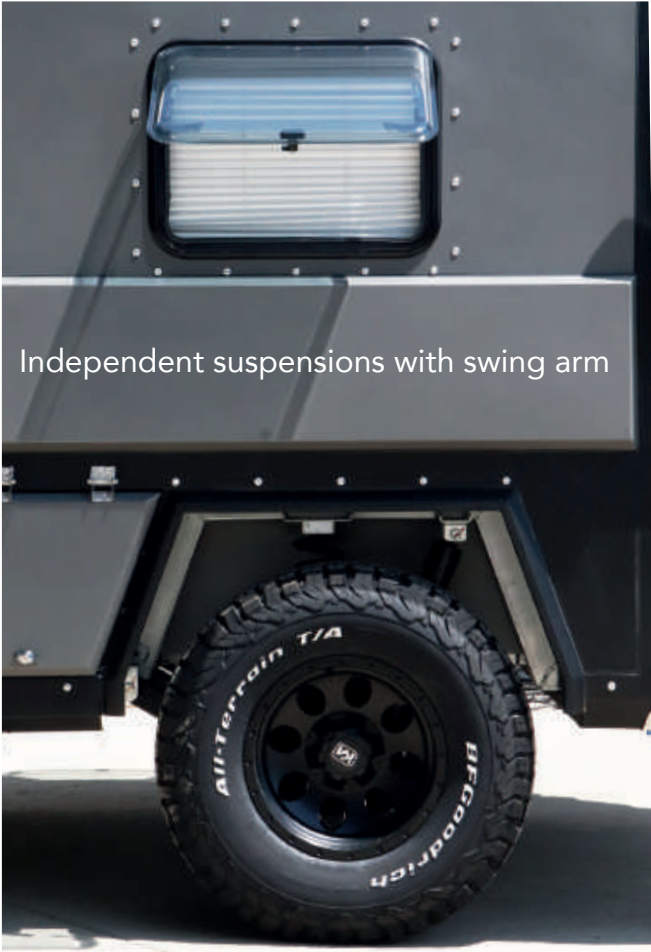
Indoor and outdoor led lighting

**T**ake your home  
to the nature!

Get away from city life, breathe in nature  
with **TRC 458**'s unique off road capability and gear.







Independent suspensions with swing arm

**TRC 458** offers a 4-person bed space by using either a high ceiling or by turning it into a secondbed area, thanks to its kitchen and bathroom design, which can be used from inside and outside. It offers you the comfort of your home in 4 seasons with its superior offroad capability and equipment.

---



## Standard Features

---

Ceramic Insulation  
Kitchen accessible from inside and outside  
2 European compatible stove and pot holder  
Double gas valve  
Copper gas installation  
Fixed kitchen sink  
Marine type chrome faucet  
Kitchen utensils and drawers  
Foldable interior table  
126 lt water tank  
37 lt grey water tank  
Chrome water filling cap  
LED interior lighting  
First bed section ( 200x160 )  
Openable Top (second bed Section 200 x 150 )  
Storage Compartments  
Battery (90 Amps)  
Right and left windows with fly screen and blinds

Kitchen seperator  
Lighting Dimmer  
High angle chrome hinges  
Chrome door stopper  
Interior LED lighting  
External LED lighting  
Usb ports (2 PCs)  
12V Plugs (2 PCs)  
6 analog control panel  
External gasoline bins (2 units)  
4 fixing legs with height adjustment  
Led taillights  
Side track lamps  
Cassette WC (black water collector)  
Sink  
Shower head  
Crawler Smart Panel  
Door flyscreen

## Optional Features

---

Extended battery (220 amps)

Solar panel and charge regulator

Built-in refrigerator

Ambient heater

Water heater

Combi system (ambient and water heater)

Portable satellite

Bicycle Holder

Fishing Rod Holder

Gun Holder

Spare wheel, spare wheel carrier and outdoor shower system

270 degree Crawler premium awning

Air suspension

Electrically Operated doorstep

Mover

Projector Type External Lights

Polymer armor coating

12000lb Winch

Stop light protection

Box type air conditioning

Fabric wall hanger pockets

Barbecue gas outlet

ALKO Stabilizer

# Technical Specifications

**Length:** 458 cm

**Height:** 245 cm (ceiling closed) ,  
360 cm (ceiling open)

**Width:** 190 cm

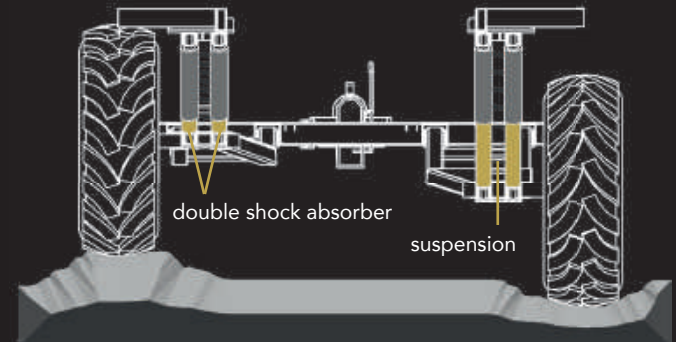
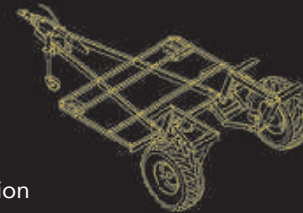
**Weight:** 900 kg\*

**Wheel dimensions:** 285.75.16 6x139,7 wheels

**Coupling:** with brake and backward maneuverability

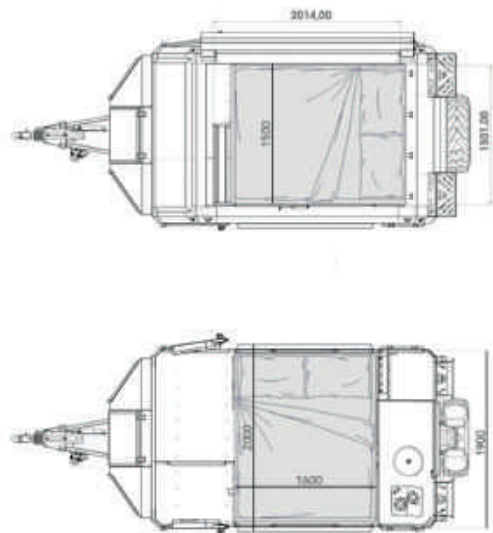
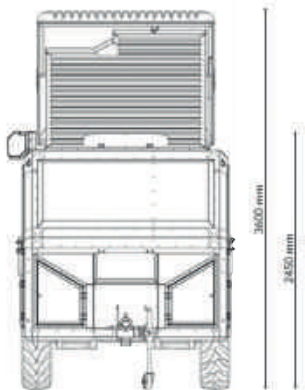
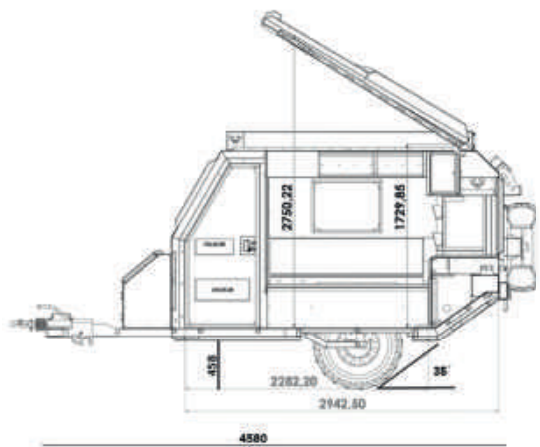
**Suspension:** independent suspension with swing system,  
4 shock absorbers

Independent suspension



\* Standard weight; may vary according to options and country regulations.







**TRC**  
458

# Discover the Peace in the Creation.

